



Door Pull Handle Technical Help Sheet

JOSEPH GILES

7 Imperial Way, Croydon, Surrey CR0 4RR
+44 (0) 20 8680 2602 | info@josephgiles.com | josephgiles.com

Door Pull Handle Technical Help Sheet

Pull handles are often used in communal areas and corridors on principal doors where usage is likely to be high.

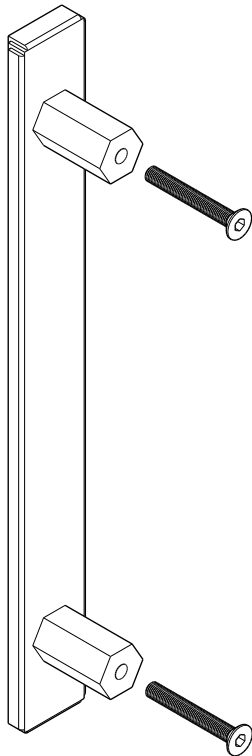
When purchasing pull handles there are three fixing methods: Bolt Through (BT), Back to Back (BB), and Secret Fix (SF).

Additionally there is a back to back version for glass doors (BBG). If you order any back to back set of handles, you will receive 2 pull handles and 2 bolts; in all other instances, you will receive 1 handle and a fixings pack.

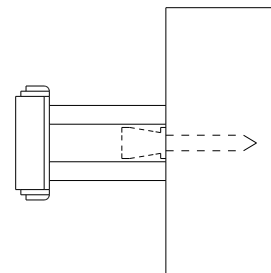
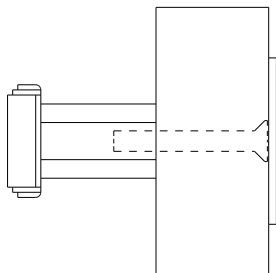
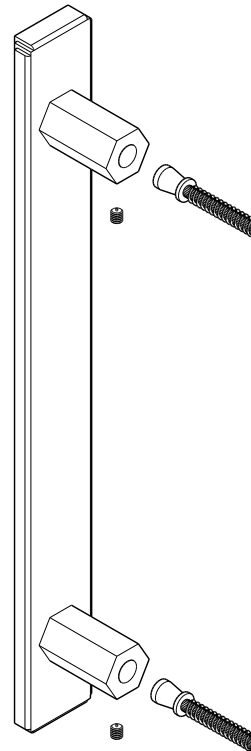
Please see drawings below and page following which illustrates the options.

- The secret fix side of the pull handle is held in place by a grub screw which grips the cone shape of the bolt head
- Secret fix options will need a pilot hole of 6.5mm

Bolt through (BT)- 1no handle + fixings



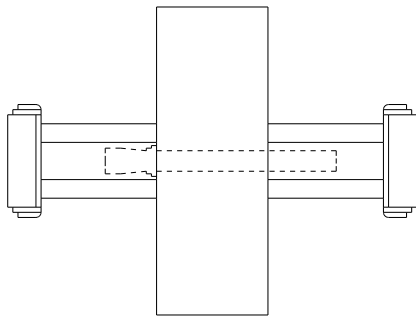
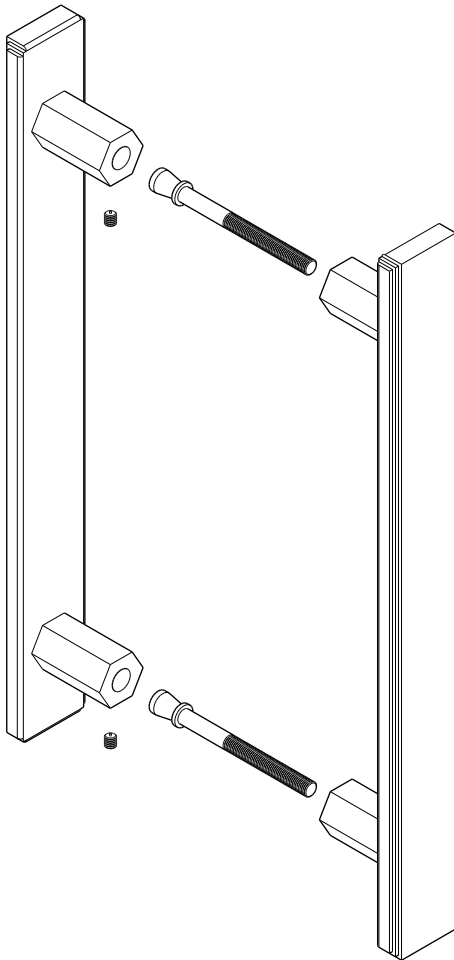
**(SF) Secret fixing for timber doors
1 handle + fixings**



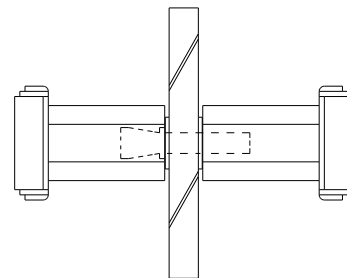
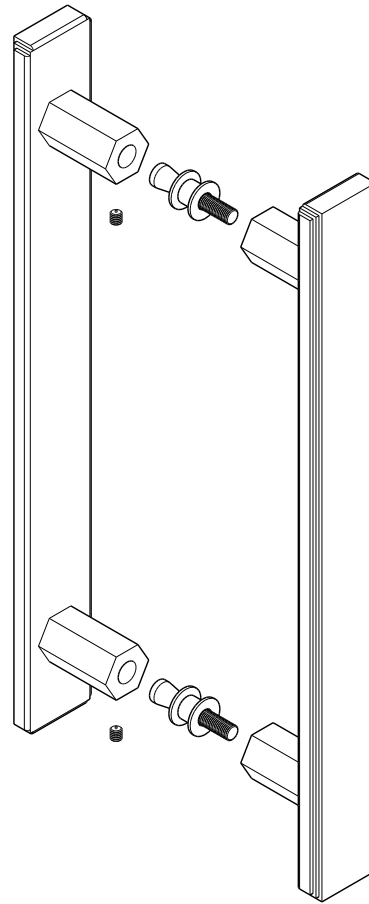
Door Pull Handle Technical Help Sheet

- A 13mm diameter hole is required for back to back fixings on glass doors, all others will require a clearance hole to suit an 8mm bolt

Back to back (BB) - 2 handles + fixings



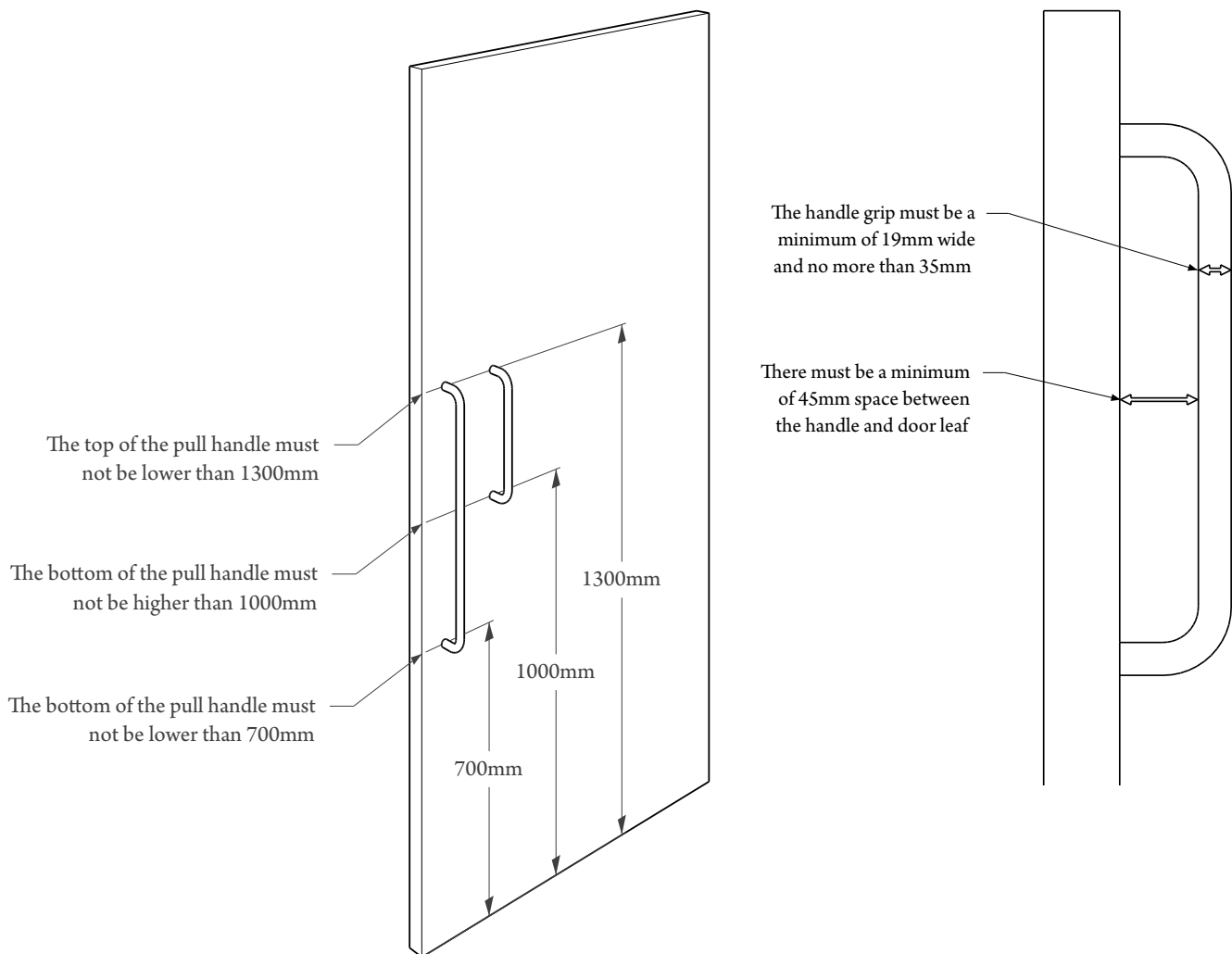
**(BBG) Back to back for glass
2 handles + fixings**



Door Pull Handle Technical Help Sheet

Doors which are used in public areas such as hotels and schools will need to be compliant with Part M of the Equality Act Regulations. This means that the handles must be designed for accessibility and adhere to additional criteria, details of which are outlined in the diagram below.

Its important to note that the pull handle must contrast visually with the face of the door.



Please check with our sales team for further information.

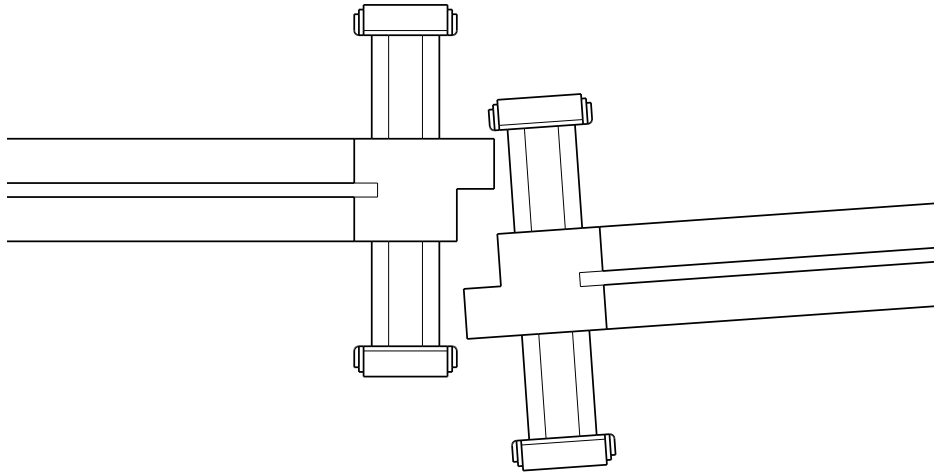
JOSEPH GILES

7 Imperial Way, Croydon, Surrey CR0 4RR
+44 (0) 20 8680 2602 | info@josephgiles.com | josephgiles.com

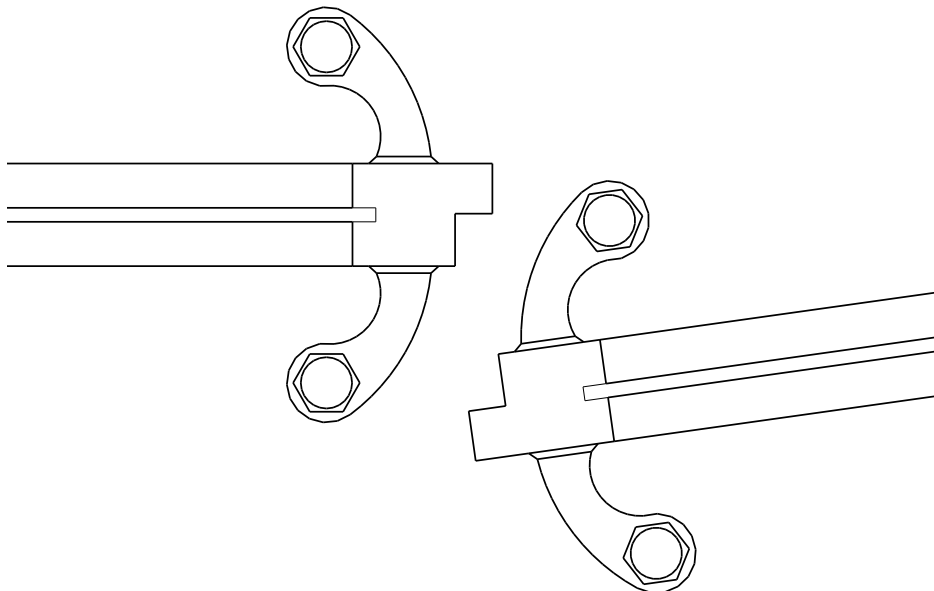
Door Pull Handle Technical Help Sheet

Please be advised that some door styles are not compatible with all door pull designs. The examples below show situations where certain designs will not work and alternative options which we can provide.

Straight pull handles - This example details our DP1019 door pull handle which is not suitable in this scenario as the handle on one side will collide with the edge of the adjacent door when it is opened and closed.



Cranked pull handles - This example details our DP1015 pull handle which is ideal for rebated doors. The majority of our straight pull handles can be made into cranked versions as special items.



If you require any advice on door pulls please contact our team who will be happy to assist you.

Please check with our sales team for further information.

JOSEPH GILES

7 Imperial Way, Croydon, Surrey CR0 4RR
+44 (0) 20 8680 2602 | info@josephgiles.com | josephgiles.com