



Door Knob Furniture Technical Help Sheet

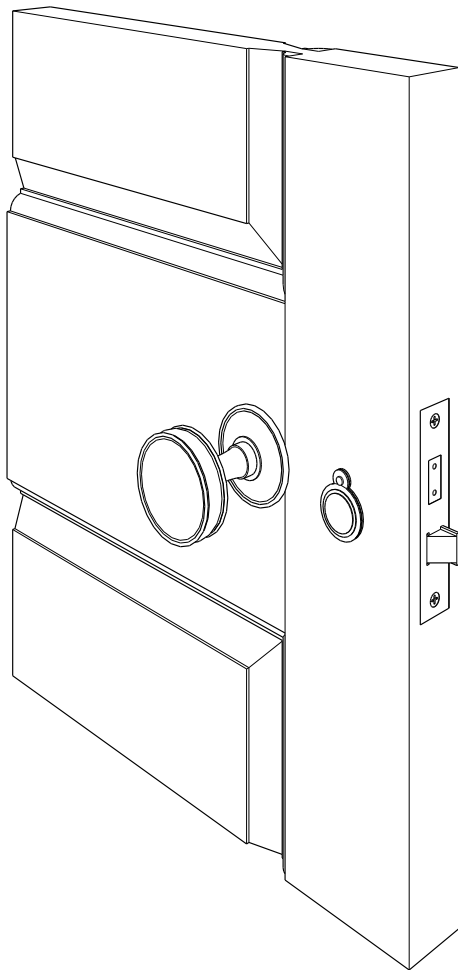
JOSEPH GILES

7 Imperial Way, Croydon, Surrey CR0 4RR
+44 (0) 20 8680 2602 | info@josephgiles.com | josephgiles.com

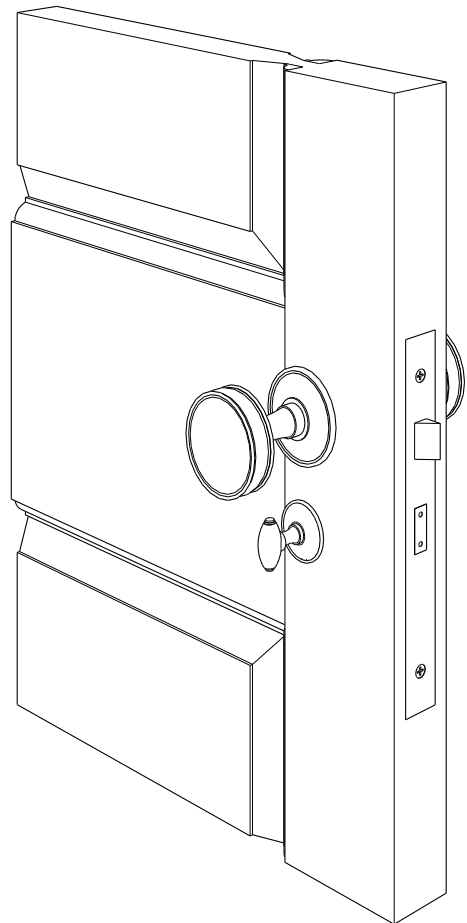
Door Knob Furniture Technical Help Sheet

Unlike lever handles, door knob furniture can be used with both horizontal and upright locks; horizontal is traditionally used, and in our opinion is the most user friendly and looks the best.

Door knobs fitted with a horizontal lock



Door knobs fitted with a vertical lock



Please check with our sales team for further information.

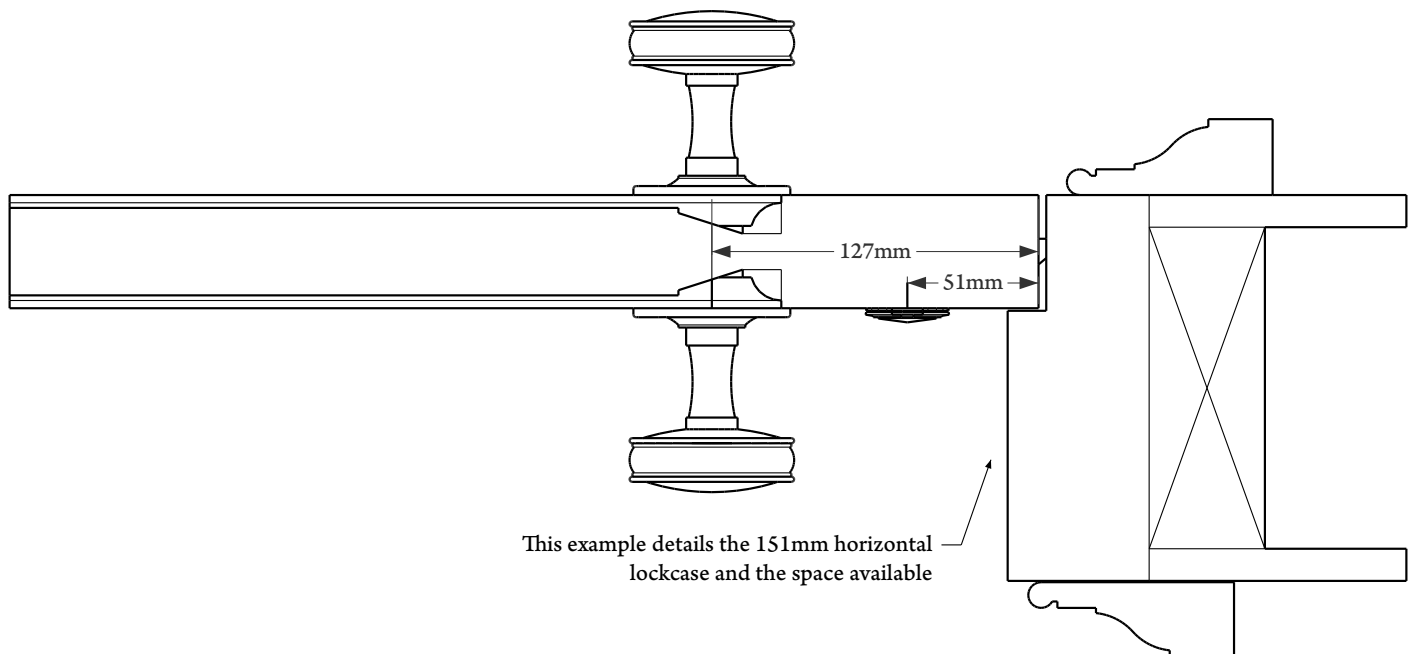
JOSEPH GILES

7 Imperial Way, Croydon, Surrey CR0 4RR
+44 (0) 20 8680 2602 | info@josephgiles.com | josephgiles.com

Door Knob Furniture Technical Help Sheet

Door knob furniture when used with horizontal locks

The reason why we recommend horizontal locks is that it allows sufficient room to operate the door knob without any possible collision of the operators' hand with the door frame.

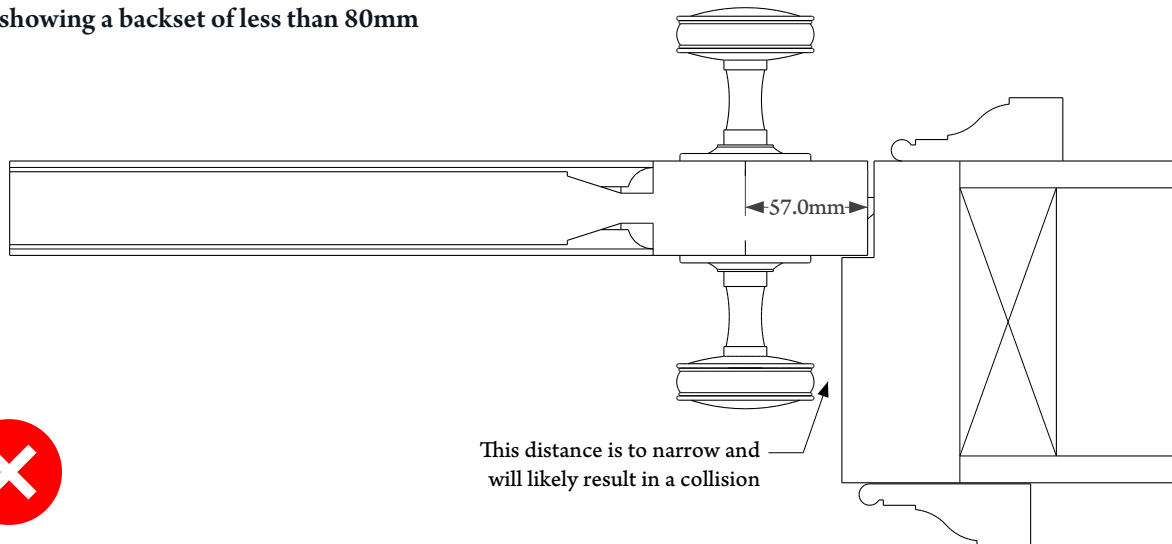


Door Knob Furniture Technical Help Sheet

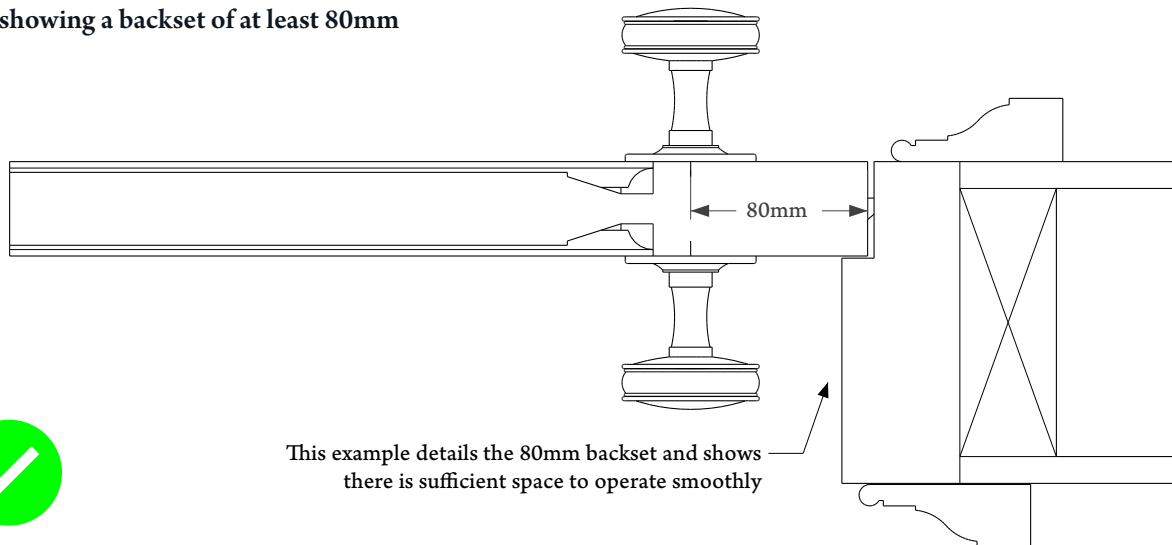
Door knob furniture with vertical locks

When using upright locks it is important that the backset is at least 80mm, which is acceptable for mortice knobs. Anything smaller is likely to lead to the operator catching their knuckles when opening and closing the door.

Example showing a backset of less than 80mm



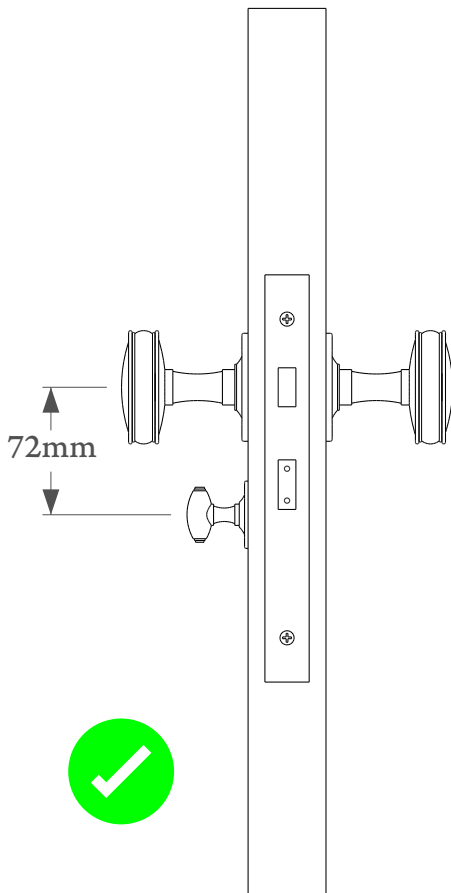
Example showing a backset of at least 80mm



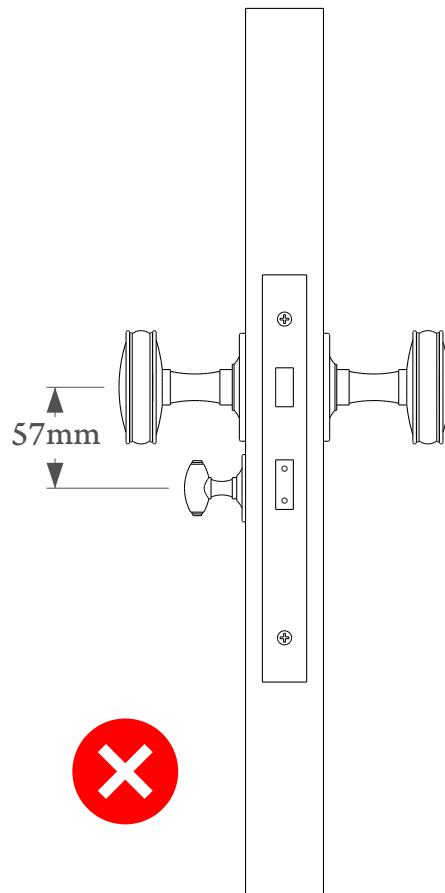
Door Knob Furniture Technical Help Sheet

When specifying door knobs and WC thumbturns, please ensure there is sufficient room between them, this is particularly relevant for knob furniture with larger diameter roses.

The example below has a distance of 72mm, which we recommend



The example below has a distance of 57mm, we would not specify in this format because there isn't sufficient room to operate sensibly



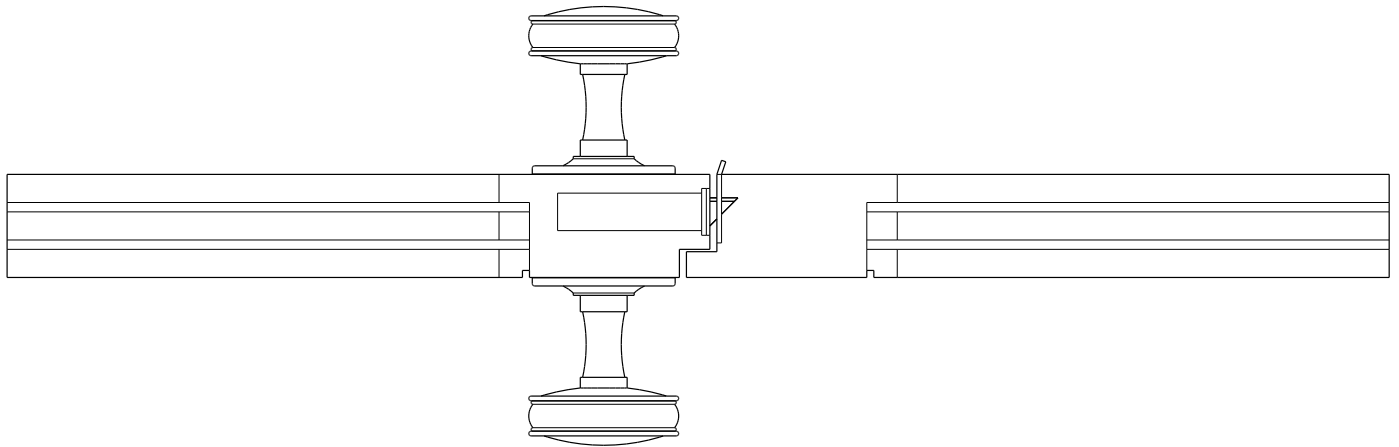
Door Knob Furniture Technical Help Sheet

Mortice knob furniture and Mortice Espagnolette Locking systems

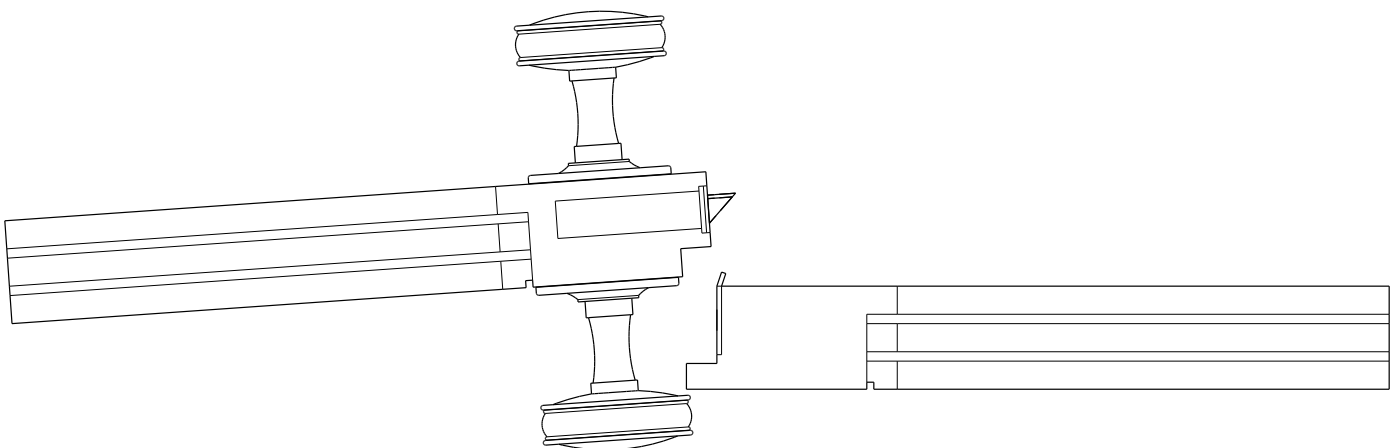
We supply a number of multipoint locking systems, however there are two principal versions - one for entrance door sets and another for french doorsets. Neither are suitable for use with door knob furniture, the entrance version due to the strength of the latch spring and the french door version due to the narrowness of backset.

French door stiles are too narrow for door knob furniture

The detail below shows a mortice knob fitted onto a narrow stile lock.



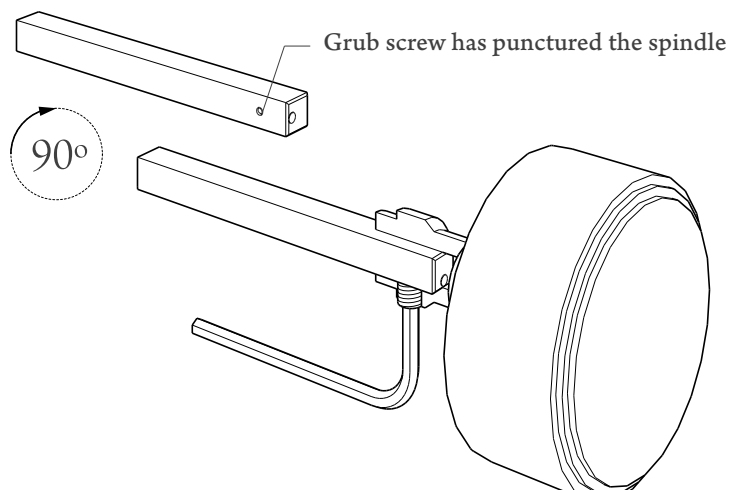
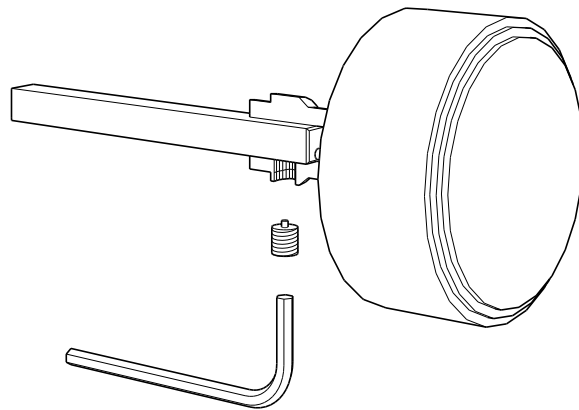
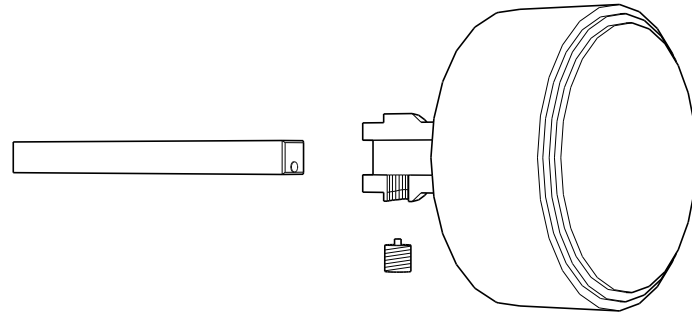
When the door begins to open you will notice that the door knob collides with the adjacent door stile.



Door Knob Furniture Technical Help Sheet

Spindles and Fixings

Almost 100% of Mortice knobs use the 'HESO' spindle technology, this is used in conjunction with a puncturing grub screw, see the details below. This creates a very strong fixing between the door knob and the spindle



If you require any advice on door knobs please contact our team who will be happy to assist you.